

## SUBMERSIBLE HYDROSTATIC PRESSURE (LEVEL) TRANSMITTER model DLV800

- *Stainless steel housing, diaphragm and front cover*
- *Analog output signal 4÷20 mA, 2-wire*
- *Power supply 12 ÷ 32 V DC, loop-powered*
- *Accuracy 0.5 % F.S.*
- *Suitable for use in water, oils, non-aggressive light alkalines or light acids*



## DATA SHEET AND INSTRUCTIONS MANUAL

### GENERAL DESCRIPTION

The transmitter model DLV800 is designed for hydrostatic level measurement and its transformation into standard analogue signal, suitable for a variety of industrial applications. The transmitter can be used either as a standalone unit or as a part of a measurement and control system. The housing and the sensor diaphragm are from stainless steel, with front cover from stainless steel, thus the transmitter is purposed for non-aggressive liquids, water, oils, etc. The transmitter could be mounted on the watered end of a pipe or freely hanging on its cable. Can be used also for muddy waters, in rivers, lakes or seas. The electrical connection is through a special waterproof cable. For pressure measurement the transmitter uses a high-quality silicone piezo-resistive sensor in the form of a flat membrane, which changes its shape under the effect of pressure. Precise temperature compensation of the zero and span is provided.

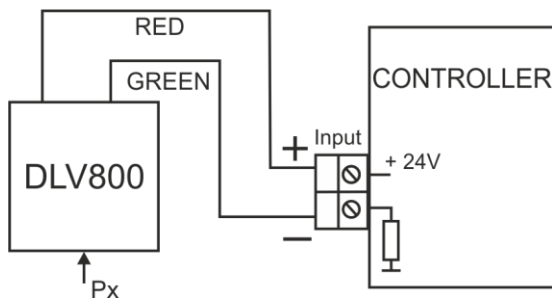
**ATTENTION!** Do not touch the sensor membrane with solid objects or hands! Do not bend or crumple the output cable!

## TECHNICAL SPECIFICATIONS

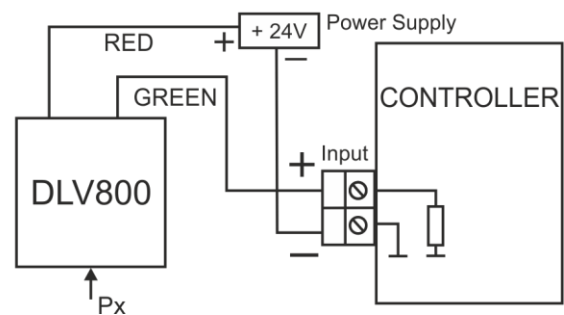
Suitable media	Water, oils, light alkalines or acids, or other non-aggressive liquids
Housing material	AISI 304 Stainless Steel
Sensor diaphragm material	AISI 316L Stainless Steel
Connecting Cable	Waterproof PVC / PUR cable, length 10m
Measuring Range (please specify)	Any within 0...8 m H <sub>2</sub> O (please specify)
Output signal	4÷20 mA, 2-wire connection
Power Supply	12 ÷ 32 V DC, loop-powered
Accuracy	0.5 % F.S.
One Year Stability	< 0.2 %
Working Temperature	-20 °C to +70 °C
Overpressure	150% F.S.
Protection	IP68
Electrical Isolation	100 MΩ @ 50 VDC
Mounting	Freely hanging on the connecting cable; recommended in a protective pipe
Dimensions	Ø27 mm, length 105 mm (without cable connector and cable)
Weight	appr. 225g (without the cable)

## CONNECTION DIAGRAM

Loop-powered



External power supply



## DIMENSIONS

